

Evolution Collection Cladding



EVODEK®
ETERNAL HOPE · FLOWING GRAIN





Item	EC-01
Sectional View	
Size	140*21mm
Lengths	2.2m 2.7m 3.6m or customized
Surface	Ultra Grain
Ingredients	50% Wood Fiber, 38% HDPE, 12% Additives



Weather Resistance
High resistance to moisture, termite, mildew...



DIY
Anti-slippery, no crack & splinter, low heat-conductive



Barefoot Friendly
Hidden-connector design, safe, beautiful, easy-install, low material & labor cost



Low-maintenance
Easy to clean, no regular painting required



Eco-friendly
Environment-friendly, 100% recyclable



Certificated
BAL29, CE, FSC, ISO...



Ultra Natural Wood Grain

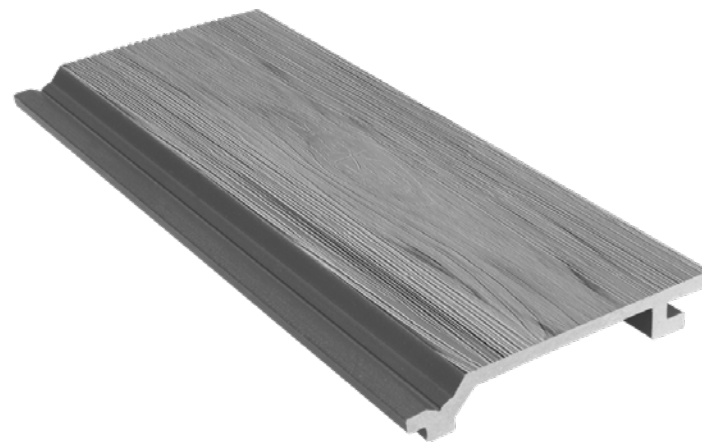
- Proprietary 3D Graining Tech:
A Stereo-Visual Effect, and A Natural Wood Touch;
- Proprietary Double-Tone Art Color Tech:
A Stunningly Natural Wood Looking



Ultra Strong Core

- Selected Formula:
A Selected Comprehensive Performance
- Dual-Screw Extrusion Tech: A Better Materials Diffusion
& Particals Interlock Denser & Stronger

EVOLUTION SURFACE



EVOLUTION SURFACE



EVOLUTION COLORS



Light Gray Art



Cedar Art



Red Pine Art



Red Wood Art



Red Brown Art



Light Gray



Cedar



Red Pine



Red Wood



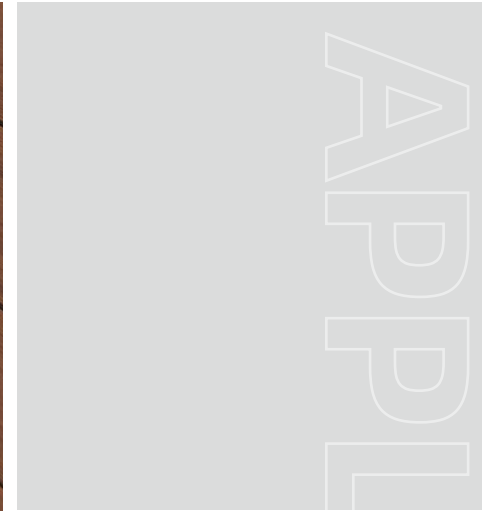
Red Brown



Coffee



Blue Gray



APPLICATION

INSTALLATION INSTRUCTIONS



Chainsaw



Electric Drill



Electric Screwdriver



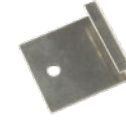
Tape Measure



Level



EA-04



EA-09



EA-10



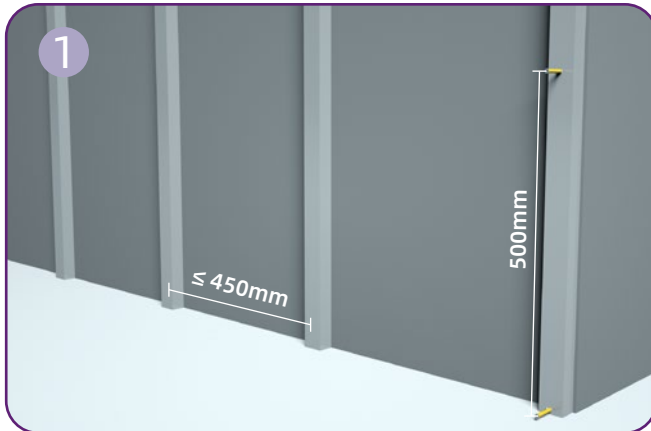
EA-11



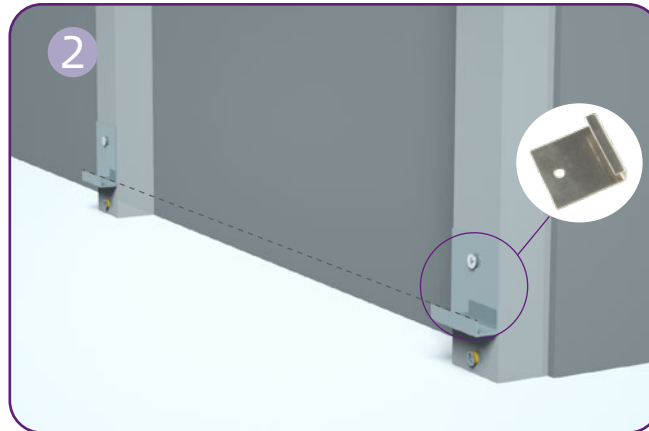
EA-12



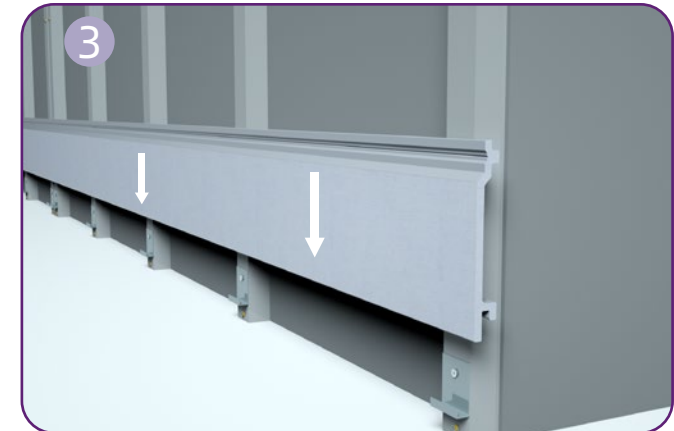
EA-13



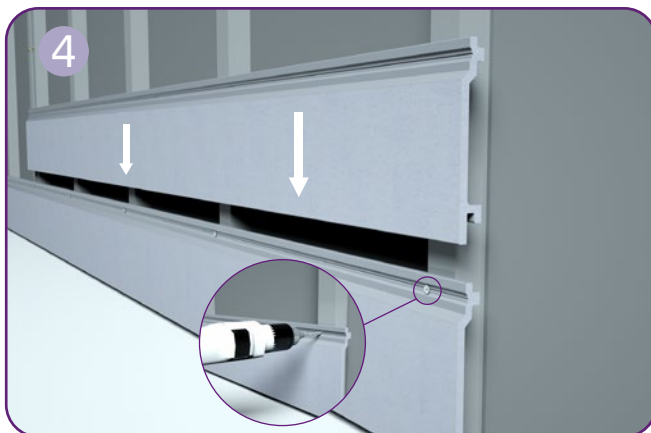
Fix joists to the wall at an interval of 500 mm with anchors. The spacing between two adjacent joists on-center should not exceed 450 mm.



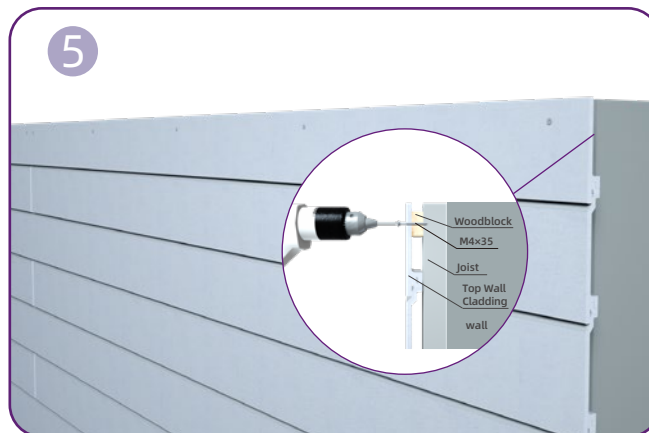
Fix start clips to joists with screws. Make sure that the start clips on each joist are in a straight horizontal line.



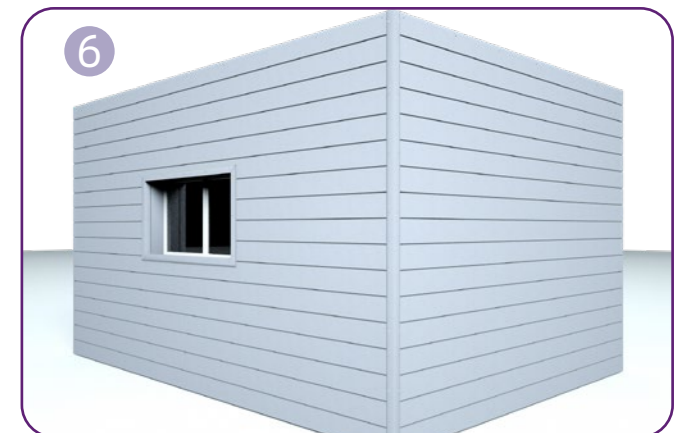
Fit the first row of cladding boards into the start clips.



Fix the first row of cladding boards to the joists with screws seated at the tongue. Put into place the second row of cladding boards. The tongues of the first row should fit into the grooves of the second row.



When it comes to the top of the wall, fix wood blocks of a suitable thickness to the top of the joists. Rip the cladding boards to a suitable width, then fix it to the woodblocks and joists with colored screws.



Cut the L corner to a suitable length, install the L-corner with colored screws. Continue and finish the installation in the same manner.

EVODEK

- EVODEK® is a globally trusted brand in the innovation of wood plastic composites, striving to make you enjoy the indoor and outdoor living space.
- EVODEK® is committed to leading the WPC industry with patented extrusion technology, engineering exquisite wood plastic composite product and service, and making EVODEK® WPC an essential part of life for all.
- EVODEK® is committed to protecting the environment by manufacturing wood plastic composite made from recycled wood and plastic.
- Not only a material supplier, EVODEK® designs and produce wood plastic composite, tailoring to the special needs of the client, or meeting the harsh environment, with a well-equipped R&D facility and a professional design team.
- EVODEK® is looking for the dealers and partners from countries or regions, and is committed to the success of our partners first, and keep improving upon our customer support.



ETERNAL HOPE · FLOWING GRAIN

— www.evodekco.com —